

ORBEA

**BLUE
PAPERS**

Orca

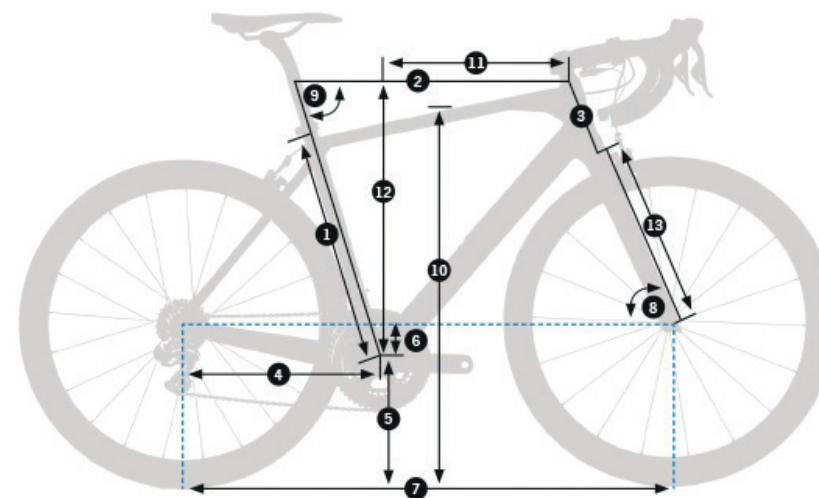
TECHNICAL MANUAL

CONTENT

GEOMETRY AND SPECIFICATIONS	3
FRAME MATERIAL AND CARE	4
ORCA FRAME ASSEMBLY	6
PARTS AND HARDWARE	7
CABLE ROUTING	14
ADDITIONAL INFORMATION	17
ORBEA WARRANTY	18

GEOMETRY AND SPECIFICATIONS

	SIZES						
SIZES (mm)	47	49	51	53	55	57	60
1. Seat tube (C-T)	410	440	470	490	510	530	560
2. Top tube (EFF)	514,8	520,55	537,9	548,5	563,7	576	590
3. Head tube	104	112	130	145	165	182	207,1
4. Chain stay	405			408			
5. BB drop	70						
6. BB height	271,5						
7. Wheel base	104	112	130	145	165	182	207,1
8. Head angle	104	112	130	145	165	182	207,1
9. Seat angle	73,5°			73,2°			
10. Fork offset – Rake	53		43				
11. Standover height	708	726	751	771	791	807	835
12. Reach	365	372	380	385	391	398	404
13. Stack	506	515	533	552	572	590	616
14. Fork length	375						
15. BB-Front Wheel	575	581,9	592,2	590	598,5	606	615
16. Rear detaileur angle	63,55	63,55	63,55	63,55	63,32	63,32	63,32



SIZE (mm)	47	49	51	53	55	57	60
Crank	170	170	170	172,5	172,5	175	175
Stem	100	100	100	110	110	120	120
Handlebar	400	400	400	420	420	440	440

HEIGHT (cm)	SIZES
>160	47
160-165	49
165-170	51
170-175	53
175-180	53-55
180-185	55-57
185-190	57
>190	60

FRAME AND MATERIAL

Orbea frames are carefully designed to be durable, efficient, and easy to maintain. Orca tubes are stiff and light, giving excellent steering precision and pedaling efficiency. Orca carbon frame is extremely resistant to corrosion, making it perfect for road. With only a minimum amount of maintenance, it's easy to keep your Orca in top condition.

1) Keep your ORCA clean

Washing your bike with mild soap and water will keep you looking stylish and allow you to check the condition of the frame and components. Don't use high water pressure and avoid spraying water into bearings or frame tubes. Citrus degreasers are biodegradable and do a great job of removing dirty grease from gears and chain.

2) Keep your ORCA lubed

Once your bike is clean, it's a good time to put fresh lube on the chain. Use only enough to get inside the links and wipe off any excess because it will attract dirt. Headset and pivot bearings should be inspected every few months for smoothness and to ensure that the seals are intact and lube is clean.

3) Inspect your ORCA before you ride

Do a quick check before every ride to make sure your bike is in excellent condition. It is very common to discover small issues at home that can become big problems on the trail. CHAIN Is the chain dirty, noisy or dry? Clean and lube your chain before riding. BRAKES Check your brakes to make sure they are working correctly. Check for missing/loose caliper and rotor bolts. TIRES Look for damage to the sidewalls of your tires. Check and adjust tire pressure. WHEELS Spin the wheels and look for wobbles, check for loose or broken spokes. Check quick release levers to make sure they are functioning properly. FRONT END Stand over the saddle, pull on the brakes and rock the bike back and forth. Feel for any play or knocking that might indicate a loose headset, loose brake rotors or calipers, or worn fork bushings. TEST RIDE Take a quick ride up and down the street to make sure your bike is shifting and braking properly. Listen for unusual noises.

AFTER A CRASH OR IMPACT

Falling is part of riding and it's impossible to avoid minor accidents. If you crash your Orca, please make sure you are okay and seek medical attention if necessary. If you are not injured, you should check your bike before continuing:

1) Inspect your frame and components for damage. Do not ride your bike if any problems are detected.

WHAT TO LOOK FOR

Inspect Frame and fork for evidence of cracking or bending. If cracks are discovered, discontinue use immediately.

Check the drivetrain and spin the wheels to make sure components are operating correctly. If you discover damage to your components, discontinue use immediately.

Even if you don't find any damage, pay careful attention to the sound of your bike when you continue riding. Unusual noises can be caused by cracks or other problems. A well-maintained bike will be quiet and free of creaks or squeaks. Investigate and locate the source of any new noises.

2) Bring your bike to your Orbea dealer for professional inspection. Some damage can only be detected by disassembling the bike to check for cracks or other signs of stress.

A crash or impact can put extraordinary stress on your bike and components, causing them to fail or to fatigue prematurely. Failure can happen suddenly with no warning, causing loss of control, serious injury or death.

ORCA FRAME

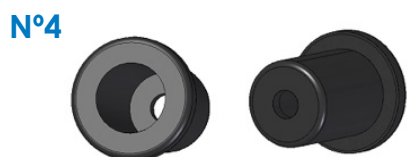
Assambled in the bike



SS Derailleur
Aluminium piece I
nternal diam: 6,05mm
L=10mm

PARTS & HARDWARE

Mechanic groupe



MAIN PIVOT (CARBON ONLY)

	Number	Name / Description
1	11202190	Chap desv road carb 13-14-15
2	16100113	Tope de plastico opturado D7,25
3	16100118	BB guide Mecanico Orca 15 Mechanic
4	16100119	Tope tirante Orca 15 Negro
5	15430087	Pata recambiable Orca 15 Negro
7	16100121	Abrazadera Orca Orca 15 Negro
15	1100256	Protector de base Orca 2015 Transparente
18	16100129	Tornillos M4 para base izquierda
19	12301063	Tornillo Titanio M5x16 Orca 15

PARTS & HARDWARE

Di2 groupe with INTERNAL y EXTERNAL Battery



MAIN PIVOT (CARBON ONLY)

	Number	Name / Description
8	11207539	Tope goma electronico derecho Orca 15
9	11207541	Tope goma electronico izquierdo Orca 15
1	11202190	Chap desv road carb 13-14-15
10	11001122	Tapon Shimano Di2 (7x8) negro
11	11207537	BB guide Electronico Di2 Orca 15 Negro
5	15430087	Pata recambiable Orca 15 Negro
7	16100121	Abrazadera Orca Orca 15 Negro
15	1100256	Protector de base Orca 2015 Transparente
18	16100129	Tornillos M4 para base izquierda
16	11207536	Guia cable electronico en freno
19	12301063	Tornillo Titanio M5x16 Orca 15

PARTS & HARDWARE

EPS groupe with INTERNAL Battery



MAIN PIVOT (CARBON ONLY)

	Number	Name / Description
8	11207539	Tope goma electronico derecho Orca 15
9	11207541	Tope goma electronico izquierdo Orca 15
1	11202190	Chap desv road carb 13-14-15
10	11001122	Tapon Shimano Di2 (7x8) negro
13	11207538	BB guide Electronico EPS Orca 15 Negro
5	15430087	Pata recambiable Orca 15 Negro
7	16100121	Abrazadera Orca Orca 15 Negro
15	1100256	Protector de base Orca 2015 Transparente
16	11207536	Guia cable electronico en freno
18	16100129	Tornillos M4 para base izquierda
17	12320125	Arandelas diametro 7 para conector carga
19	12301063	Tornillo Titanio M5x16 Orca 15

PARTS & HARDWARE

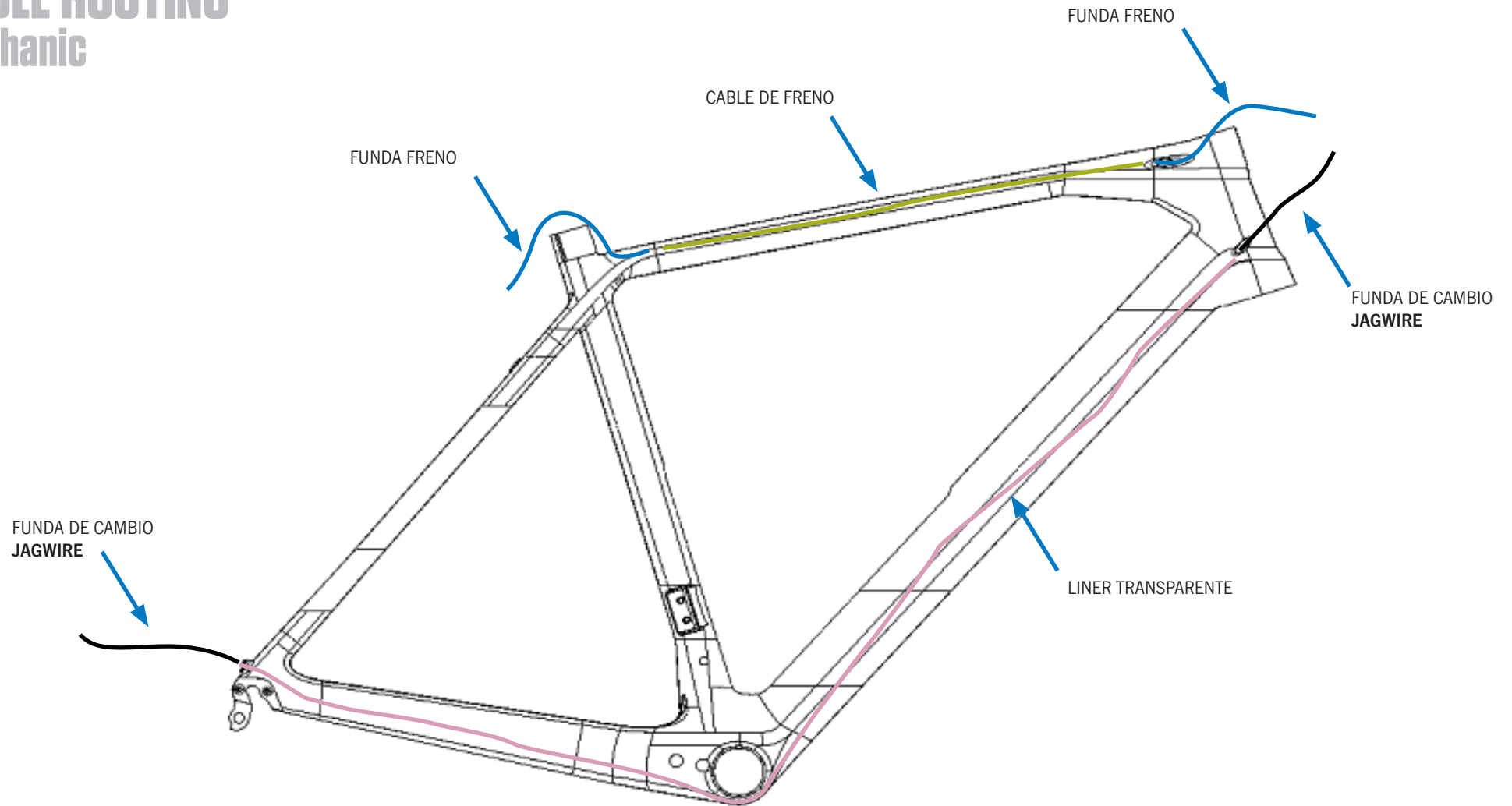
EPS groupe with EXTERNAL Battery



MAIN PIVOT (CARBON ONLY)

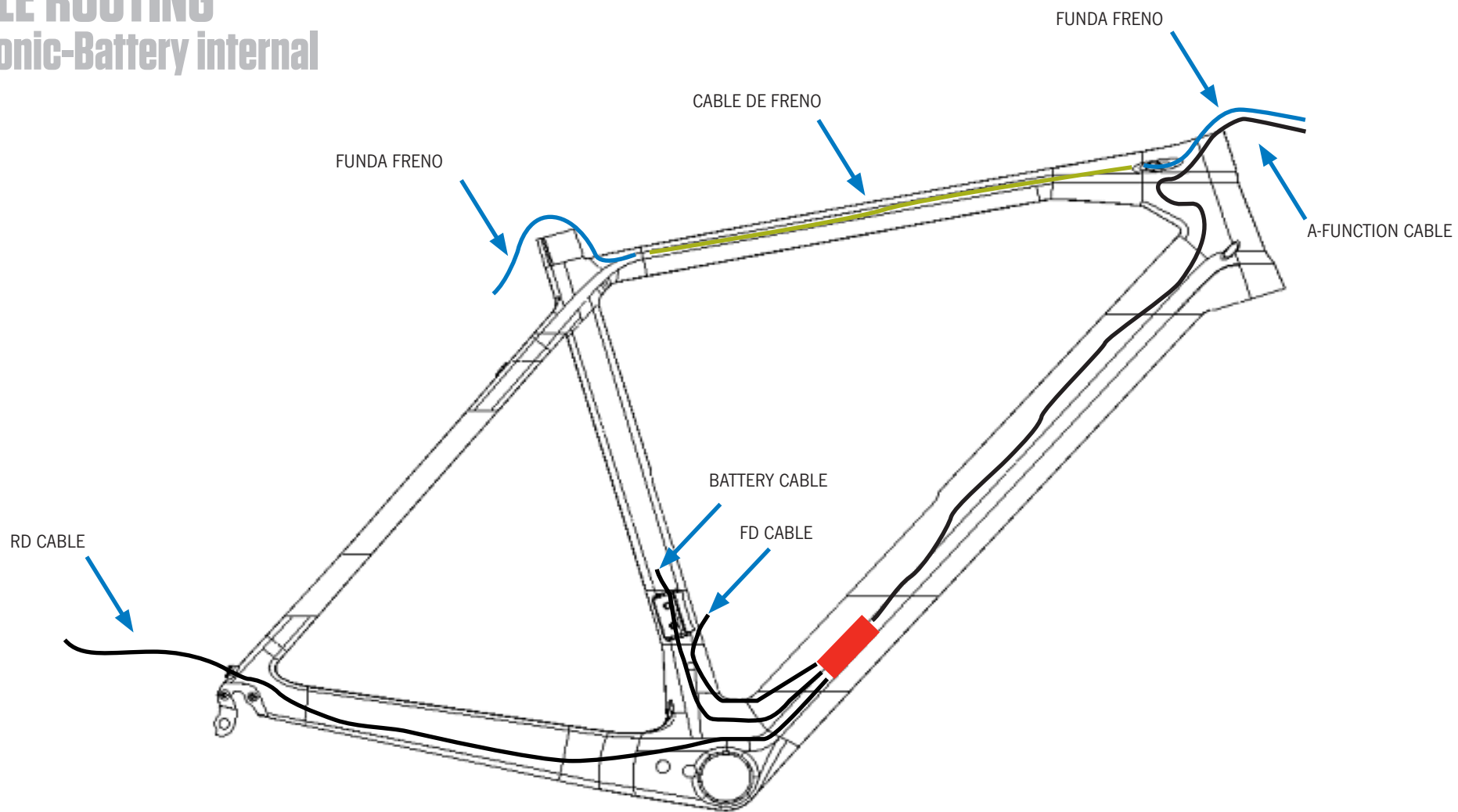
	Number	Name / Description
8	11207539	Tope goma electronico derecho Orca 15
9	11207541	Tope goma electronico izquierdo Orca 15
1	11202190	Chap desv road carb 13-14-15
10	11001122	Tapon Shimano Di2 (7x8) negro
13	11207538	BB guide Electronico EPS Orca 15 Negro
5	15430087	Pata recambiable Orca 15 Negro
7	16100121	Abrazadera Orca Orca 15 Negro
15	1100256	Protector de base Orca 2015 Transparente
16	11207536	Guia cable electronico en freno
19	12301063	Tornillo Titanio M5x16 Orca 15

CABLE ROUTING Mechanic



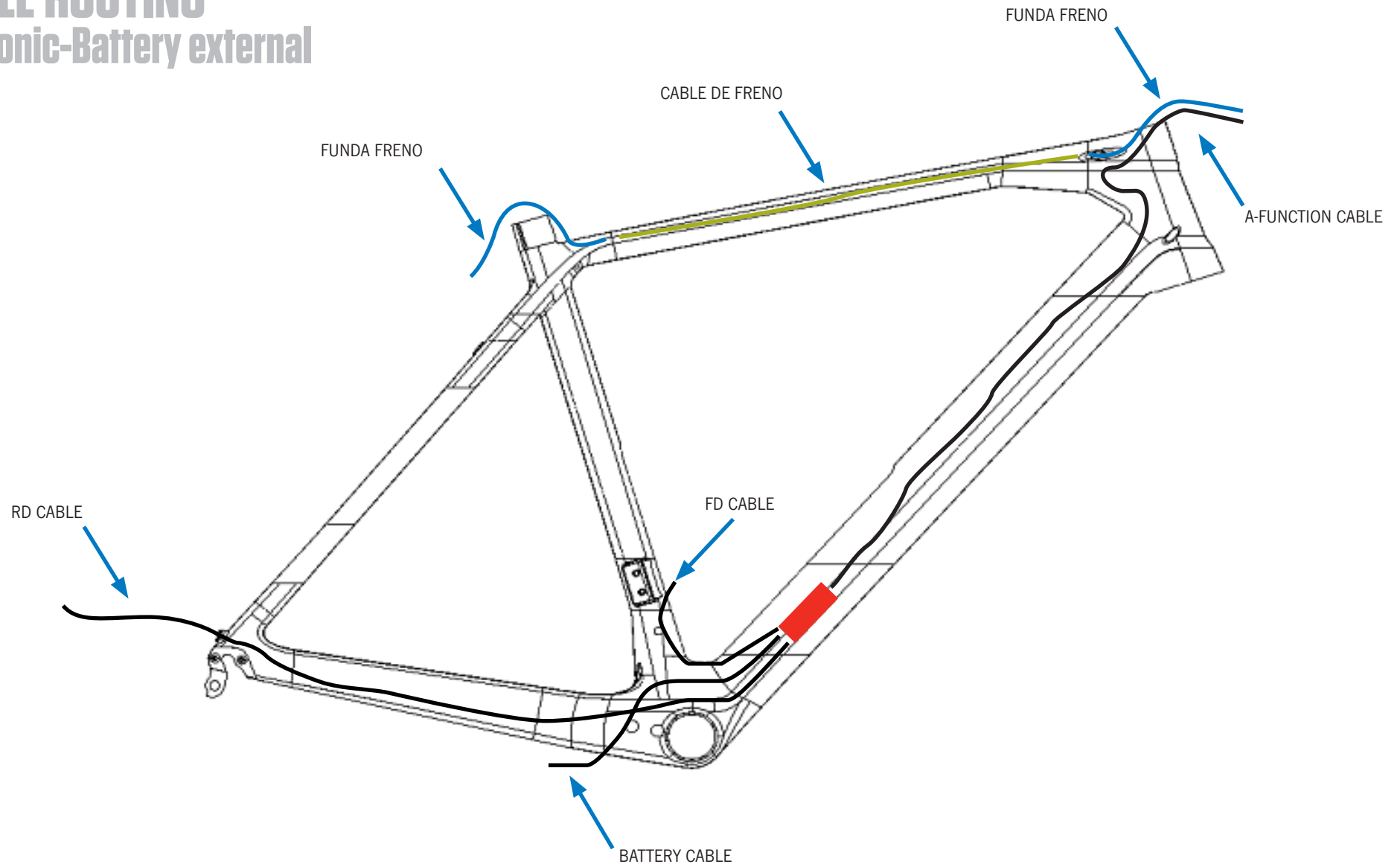
CABLE ROUTING

Electronic-Battery internal



CABLE ROUTING

Electronic-Battery external



ORBEA WARRANTY

ACTIVATE WARRANTY

WWW.ORBEA.COM/WARRANTY



ADVANTAGES



LIFETIME WARRANTY



ACCIDENT POLICY



EXTENDED COVERAGE

ORBEA
175TH

FOLLOW US:





HOW DO I ACTIVATE MY LIFETIME WARRANTY?

Orbea provides a lifetime warranty on all its frames. Only a brand that knows the materials, masters the technologies and has the skills can guarantee that your frame is totally invincible. Only Orbea takes you a step beyond.

Orbea's lifetime warranty is activated using the registration number you will find on all frames from the 2009 range onwards. When you have activated it at your dealer or at www.orbea.com, your bike will automatically receive its lifetime warranty. The registration number is a unique, non-transferable code that you will find on the underside of your bike's downtube. Activate your frame's warranty using this number at your dealer's or at www.orbea.com.

WHAT ARE THE ADVANTAGES?

Lifetime guarantee of your frame against breakage.

Two-year guarantee on all components.

Identification of your bicycle and all its characteristics to our Technical Assistance Service so that we can provide our best response to any problems. Access to special offers, events and prize drawings.

ORBEA WARRANTY

The ongoing efforts we make at Orbea to design high-end bicycles enable us to provide customers with the following warranty:

- 1) We back each frame and rigid fork in our bicycles with a lifetime warranty against materials and manufacturing defects. Frames with travel longer than 170 mm are covered by a 2-year warranty. We warrant each frame and fork in our bikes against paint or varnish defects and corrosion for 3 years. This warranty covers the original purchaser only and is non-transferable. For the lifetime warranty to be valid, customers must fill in the online warranty form within one month of purchase, and proof of purchase in the form of cash register receipt or sales ticket is required.
- 2) Warranty claims are subject to the decision made by our technical staff about the nature of the defect after thorough inspection of the faulty part.
- 3) All the parts assembled in our bicycles are protected against assembly or manufacturing defects for 2 years, and repairs qualifying under this warranty will be performed by authorized dealers in each country.
- 4) This warranty does not cover parts that naturally wear over time, such as tires, brake pads, handlebar grips, cranksets, bearings, etc.
- 5) This warranty does not cover damages or defects caused by negligence, improper use, assembly of parts or accessories that are not original, or defective repair or maintenance work. of the bicycle, nonoriginal accessories being fitted to it, or unsuitable maintenance operations or handling.

6) This warranty includes only replacement or repair coverage of the parts under it and in no case shall it cover personal damages directly or indirectly caused by the failure of said parts during use.

7) All claims must be reported to an authorized dealer. In case there is no such a dealer near the buyer's location, please contact Orbea so that we can decide how to solve the problem.

8) In case of crashes, the Orbea warranty shall be considered null and void.

ADDITIONAL INFORMATION

Orbea participates actively on facebook and Twitter with our fantastic global community of riders. Looking to find spots to ride or plan a vacation? Someone will have the answers:

www.orbea.com

Occam microsite:

www.orbea.com/es-es/sites/occam-29/

FACEBOOK

www.facebook.com/OrbeaBicycles

TWITTER

www.twitter.com/Orbea/

INSTAGRAM

www.instagram.com/orbeabicycles

ORBEA CONTENT

View and download photos, videos and documents.

content.orbea.com/us-en/

ORBEA UNIVERSITY

www.orbea.com/es-es/university/

ORBEA BLOG

www.orbea.com/es-es/blog/

YOUR ORBEA DEALER

Our dealers are experts and should be able to assist you with setting up and maintaining your Orbea bicycle. A complete listing of Orbea dealers and distributors can be located on our website:

<http://www.orbea.com/int-en/dealers/?country=INT/>

AFTER SALES SERVICE

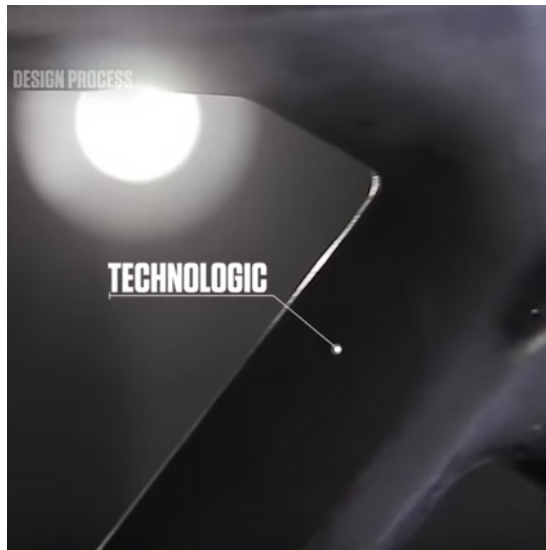
Our service technicians are trained to handle any questions you might have about your Orbea bicycle.

<mailto:Orbea@Orbea.com>



WHAT MAQUES UNIQUE ORCA

www.youtube.com/watch?v=CBO3_x8P5q0



BIKE CHECK OF THE ORCA

www.youtube.com/watch?v=F80R8W6T5ZA



CABLEADO ORBEA ORCA

www.youtube.com/watch?v=1206pNnJEFO



ORBEA

**BLUE
PAPERS**

Orca

TECHNICAL MANUAL
