

ORBEA

BLUE PAPERS

ALMA H
TECHNICAL MANUAL

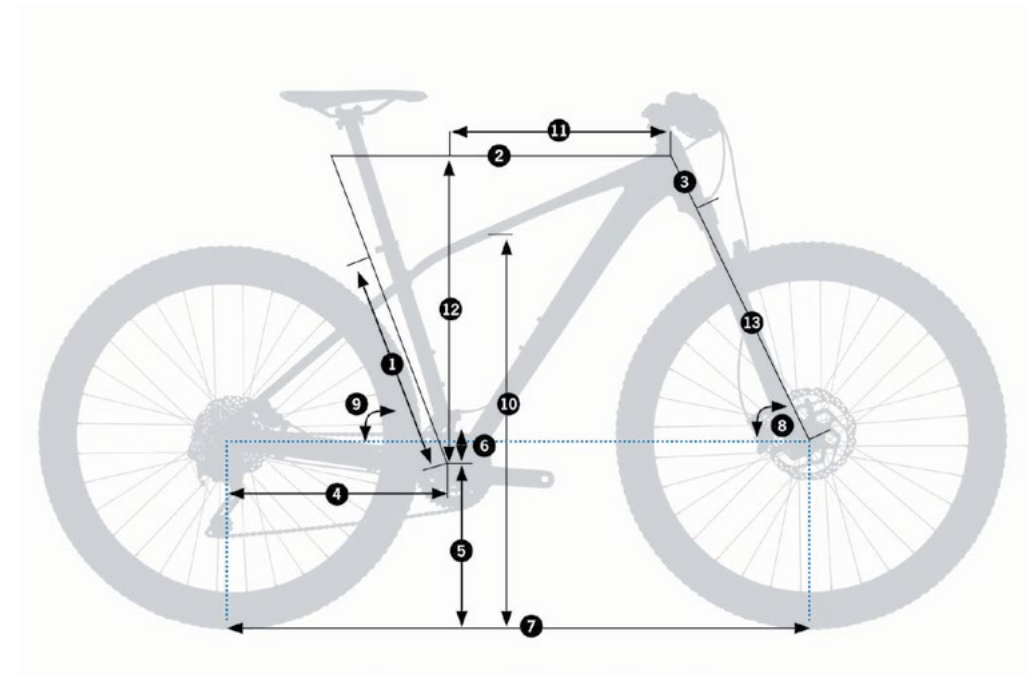
INDEX

ALMA H

GEOMETRY	2
CHARACTERISTICS	3
OPTIONS	4
HARDWARE	6
CABLE ROUTING	7
ORBEA WARRANTY	8
ADDITIONAL INFORMATION	9

GEOMETRY

DESCRIPTION	27X15,5	27X17,5	29X15,5	29X17,5	29X19	29X20,5
1. Seat tube (C-T)	400	445	400	445	483	533
2. Top tube (EFF)	550	582	557	588	616	640
3. Head tube	105	115	95	105	115	130
4. Chain stay	425				436	
5. BB drop	43				61	
6. BB height		312			309	
7. Wheel base	1045	1078	1073	1092	1121	1146
8. Head angle	69				69	
9. Seat angle			73,5			
10. Fork offset – Rake			44			
11. Standover height	716	735	715	735	741	802
12. Reach	380	409	380	409	435	455
13. Stack	581	590	600	609	618	632
14. Fork length	487,7				500,8	



a) All the measurements must in mm

CHARACTERISTICS

HEADSET	1" 1/8 - 1" 1/5
BB	PRESS FIT 92 MM
FRONT DERAILLEUR	LOW CLAMP
FRONT DERAILLEUR TP/DP	SIDESWING HIGH CLAMP
FD ANGLE	29: 69° // 27: 68°
SEAT POST DIAMETER	27,2 MM
SEAT CLAMP	31,8 MM
DROPOUT	BOOST
CHAINSTAY PROTECTOR	RUBBER
OTHER PROTECTORS	DT TRANSPARENT PROTECTOR
CABLE TYPE	STANDARD FULL HOUSING
REAR HUB LENGHT	148
MAX CHAINRING SIZE 2X	38T
MAX CHAINRING SIZE 1X	34T
MIN CHAINRING SIZE FOR MECHANICAL FD	36T
MIN CHAINRING SIZE FOR D12 FD	-

OPTIONS

BRAKE	V-BRAKE	NO
	DISC BRAKE	ONLY
	REAR BRAKE IS/PM+DIAMETER DISC	PM 160 (180 COMPATIBLE)
	CALIPER BRAKE	NO
LUGGAGE	BAG OPTION IN TOP TUBE	-
	BOTTLE CAGE	2 IN EVERY SIZE
	OPTION AERO AND STANDARD BOTTLE	-
	REAR LUGGAGE OPTION	-
	MUDGUARD OPTION	-
	KICKSTAND	-
GEARS	11 SPEED	YES
	12 SPEED	YES, XX1 EAGLE
	DOUBLE CRANK	YES
	COMPACT CRANK (34X50T) (ROAD)	-
	TRIPLE CRANK	NO
	OXYMETRIC	NO

OPTIONS

GROUPSETS

ROAD

SHIMANO

DURA-ACE DI2 [9070] (11 SPEED ELECTRONIC)

DURA-ACE DI2 [7900] (10 SPEED ELECTRONIC)

DURA-ACE [9000] (11 SPEED)

DURA-ACE [7900] (10 SPEED)

ULTEGRA DI2 [6870] (11 SPEED ELECTRONIC)

ULTEGRA DI2 [6770] (10 SPEED ELECTRONIC)

ULTEGRA [6800] (11 SPEED)

ULTEGRA [6700] (10 SPEED)

105 [5700] (10 SPEED)

TIAGRA [4600] (10 SPEED, 9 SPEED ON OLDER MODELS)

SORA [3500] (9 SPEED, 8 SPEED ON OLDER MODELS)

CLARIS [2400] (8 SPEED)

CAMPAGNOLO

SUPER RECORD EPS (11 SPEED ELECTRONIC)

RECORD EPS (11 SPEED ELECTRONIC)

ATHENA EPS (11 SPEED ELECTRONIC)

SUPER RECORD (11 SPEED)

RECORD (11 SPEED)

CHORUS (11 SPEED)

ATHENA (11 SPEED)

CENTAUR (10 SPEED)

VELOCE (10 SPEED)

SRAM

SRAM RED22

SRAM RED 2012

SRAM BLACK RED (INTRODUCED 2011)

SRAM FORCE22

SRAM FORCE

SRAM RIVAL

SRAM APEX (INTRODUCED FOR 2010)

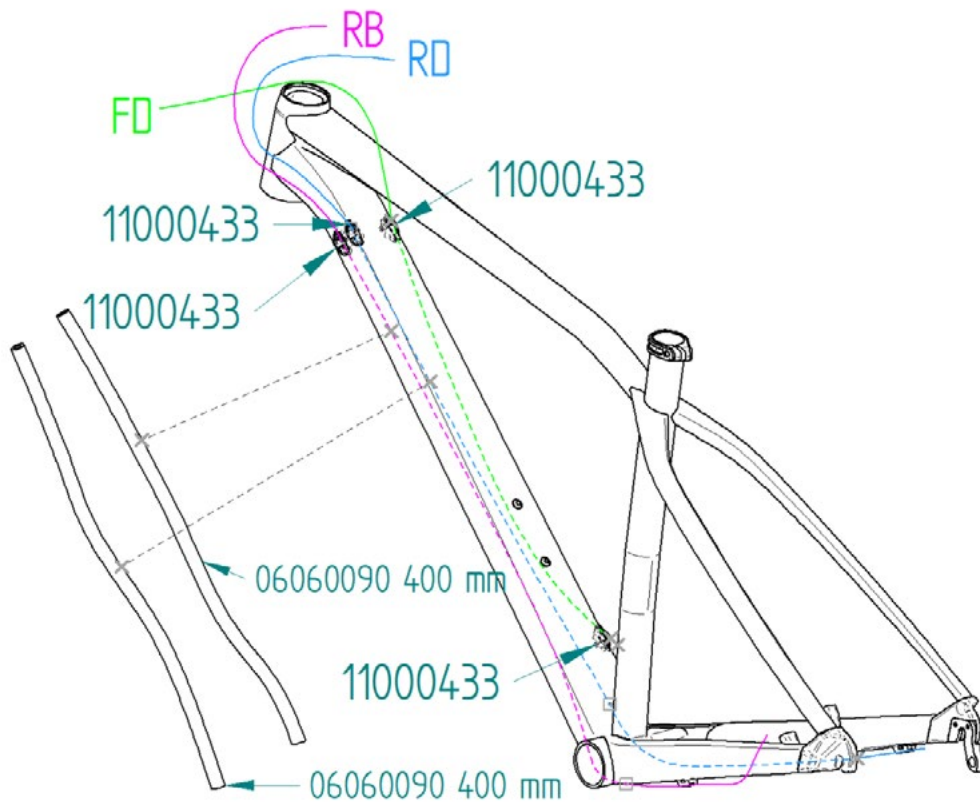
HARDWARE

SUPLIER		
NAME	REFERENCE	DESCRIPTION
-	-	-
LIOW KO	-	-
	-	-
ORBEA		
REFERENCE	DESCRIPTION	PIECES PER BIKE
11160734	SEAT CLAMP	1
12301060	WATER BOTTLE BOLT	4
11000248		1
12300059	M4X8 DIN7991 INOX	2
15430201	STANDARD HANGER	1/0
15430202	DIRECT MOUNT HANGER	1/0

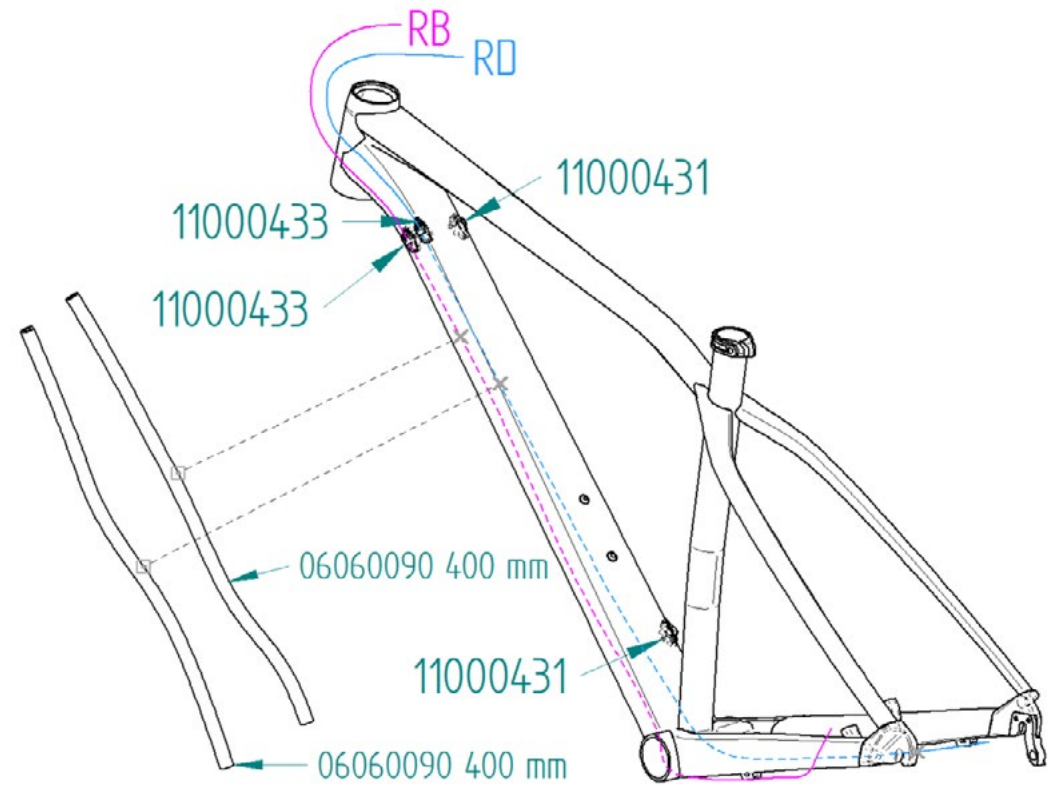
ASSEMBLED ON FRAME FROM SUPPLIER	VARIABLE COLOR
NO	NO

CABLE ROUTING

MECHANICAL 2X



MECHANICAL 1X



ORBEA WARRANTY

HOW DO I ACTIVATE MY LIFETIME WARRANTY?

Orbea provides a lifetime warranty on all its frames. Only a brand that knows the materials, masters the technologies and has the skills can guarantee that your frame is totally invincible. Only Orbea takes you a step beyond.

Orbea's lifetime warranty is activated using the registration number you will find on all frames from the 2009 range onwards. When you have activated it at your dealer or at www.orbea.com, your bike will automatically receive its lifetime warranty. The registration number is a unique, non-transferable code that you will find on the underside of your bike's downtube. Activate your frame's warranty using this number at your dealer's or at www.orbea.com.

WHAT ARE THE ADVANTAGES?

- Lifetime guarantee of your frame against breakage.
- Two-year guarantee on all components.
- Identification of your bicycle and all its characteristics to our Technical Assistance Service so that we can provide our best response to any problems. Access to special offers, events and prize drawings.

ORBEA WARRANTY

The ongoing efforts we make at Orbea to design high-end bicycles enable us to provide customers with the following warranty:

- 1) We back each frame and rigid fork in our bicycles with a lifetime warranty against materials and manufacturing defects. Frames with travel longer than 170 mm are covered by a 2-year warranty. We warrant each frame and fork in our bikes against paint or varnish defects and corrosion for 3 years. This warranty covers the original purchaser only and is non-transferable. For the lifetime warranty to be valid, customers must fill in the online warranty form within one month of purchase, and proof of purchase in the form of cash register receipt or sales ticket is required.
- 2) Warranty claims are subject to the decision made by our technical staff about the nature of the defect after thorough inspection of the faulty part.
- 3) All the parts assembled in our bicycles are protected against assembly or manufacturing defects for 2 years, and repairs qualifying under this warranty will

be performed by authorized dealers in each country.
4) This warranty does not cover parts that naturally wear over time, such as tires, brake pads, handlebar grips, cranksets, bearings, etc.

5) This warranty does not cover damages or defects caused by negligence, improper use, assembly of parts or accessories that are not original, or defective repair or maintenance work of the bicycle, nonoriginal accessories being fitted to it, or unsuitable maintenance operations or handling.

6) This warranty includes only replacement or repair coverage of the parts under it and in no case shall it cover personal damages directly or indirectly caused by the failure of said parts during use.

7) All claims must be reported to an authorized dealer. In case there is no such a dealer near the buyer's location, please contact Orbea so that we can decide how to solve the problem.

8) In case of crashes, the Orbea warranty shall be considered null and void.

ADDITIONAL INFORMATION

ORBEA participates actively on facebook and Twitter with our fantastic global community of riders. Looking to find spots to ride or plan a vacation? Someone will have the answers:

FACEBOOK

www.facebook.com/OrbeaBicycles

TWITTER

www.twitter.com/Orbea/

YOUTUBE

Visit our Orbea Channel on You Tube for a variety of helpful setup and tech videos:

www.youtube.com/user/OrbeaBicycles

INSTAGRAM

www.instagram.com/orbeabicycles

ORBEA CONTENT

View and download photos, videos and documents.

content.orbea.com/us-en/

ORBEA UNIVERSITY

www.orbea.com/en-en/university/

BLOG ORBEA

www.orbea.com/en-en/blog/

YOUR ORBEA DEALER

Our dealers are experts and should be able to assist you with setting up and maintaining your Orbea bicycle. A complete listing of Orbea dealers and distributors can be located on our website:

www.orbea.com/us-en/dealers/?country=INT

AFTER SALES SERVICE

Our service technicians are trained to handle any questions you might have about your Orbea bicycle:

orbea@orbea.com

ORBEA